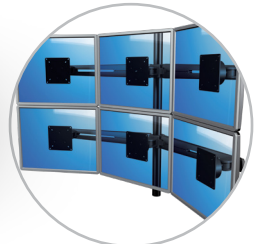


# viewmaster<sup>x</sup>

5



53.633

## Viewmaster multi-monitor system - desk 633

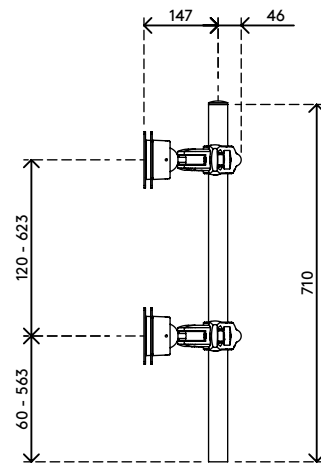
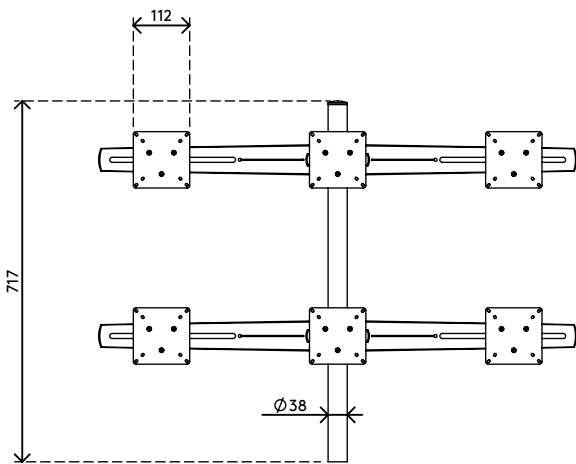
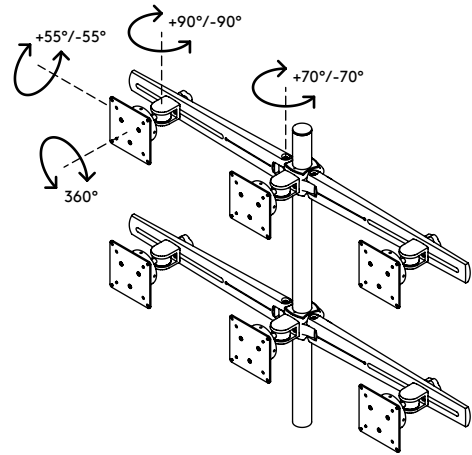
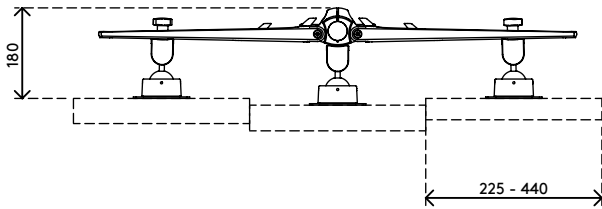
This model mounts a total of 6 monitors. Like on all other winged multi-monitor systems, each monitor can be adjusted individually. Cable management in the wings tidies up all cables, resulting in an impressive, curved monitoring workstation.

- Stepless height adjustment
- For 6 monitors
- Cable clips and loop ties included
- Die-cast aluminium parts
- VESA MIS-D 75 x 75/100 x 100 mm compatible
- Rotate 360°, tilt +55°/-55°, pivot +90°/-90°
- Weight capacity max. 12 kg per monitor
- Desk mount not included
- Monitor size limit: width 440 - height 428 mm
- Due to excellent stability also suitable for touchscreens

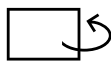
dataflex

feeling at work

# viewmaster x



+55°/-55°



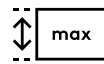
+90°/-90°



360°



max  
440 mm (17,3")



max  
428 mm (16,9")



75 x 75/100 x 100



(6x) 12 kg

## Viewmaster multi-monitor system - desk 633

2015/10/05


# 53.633

 740 x 395 x 120 mm

 1 pcs

 black

 11,47 kg

 805410536336