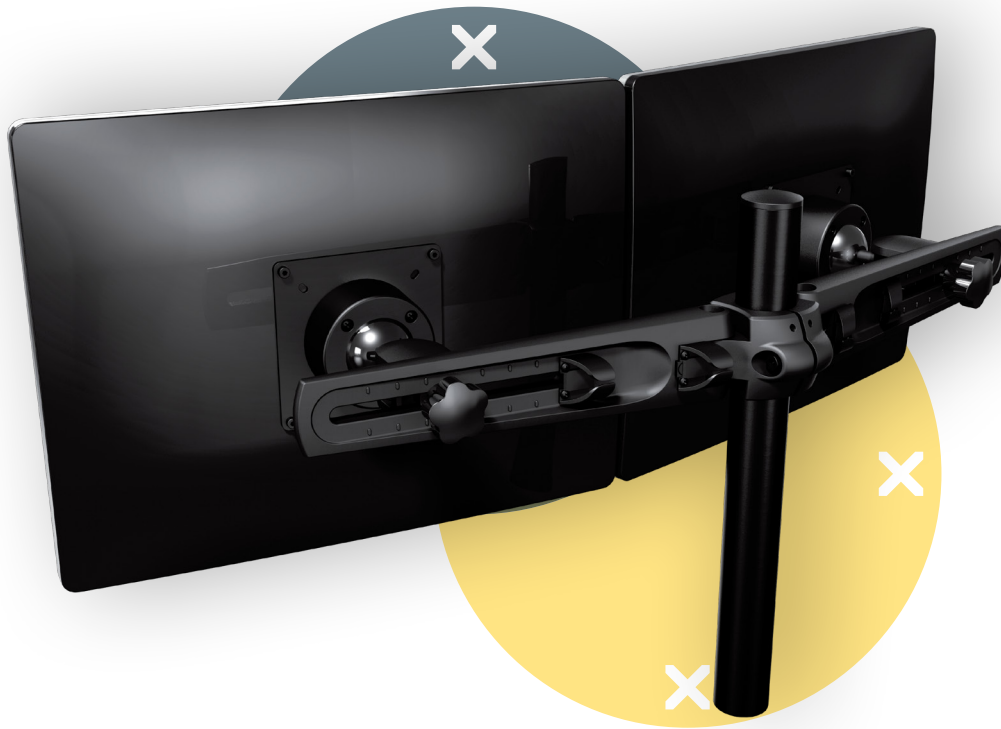


# viewmaster<sup>x</sup>



53.233

## Viewmaster multi-monitor system - desk 233

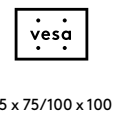
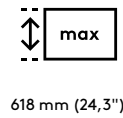
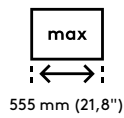
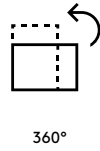
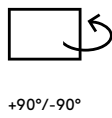
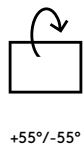
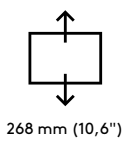
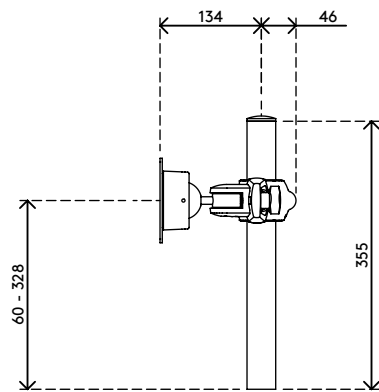
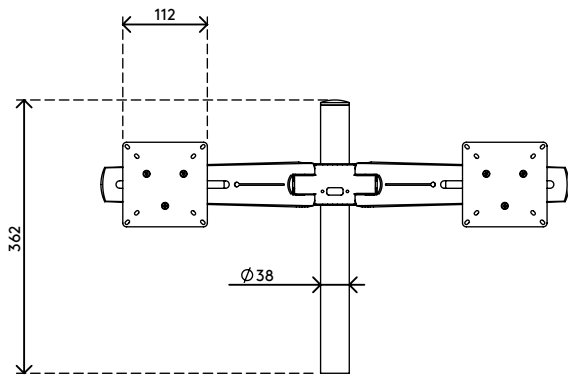
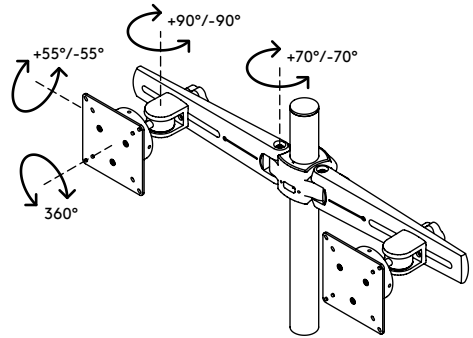
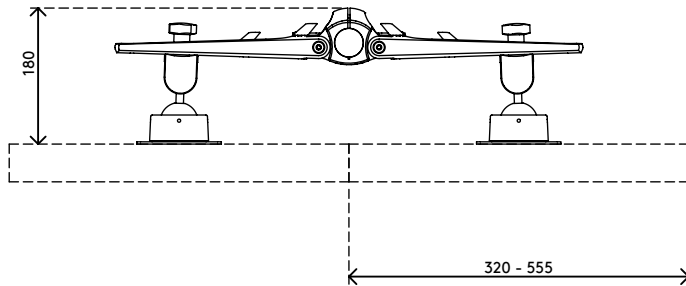
This model mounts 2 monitors. Like on all other winged multi-monitor systems, each monitor can be adjusted individually. Cable management in the wings tidies up all cables, resulting in an impressive set-up that can be either flat or curved.

- Stepless height adjustment
- For 2 monitors
- Cable clips and loop ties included
- Die-cast aluminium parts
- VESA MIS-D 75 x 75/100 x 100 mm compatible
- Rotate 360°, tilt +55°/-55°, pivot +90°/-90°
- Weight capacity max. 12 kg per monitor
- Desk mount not included
- Monitor size limit: width 555 - height 618 mm
- Due to excellent stability also suitable for touchscreens

**dataflex**

feeling at work

# viewmaster x



## Viewmaster multi-monitor system - desk 233

2015/10/05

# 53.233

535 x 250 x 155 mm

1 pcs

black

4,675 kg

805410532338