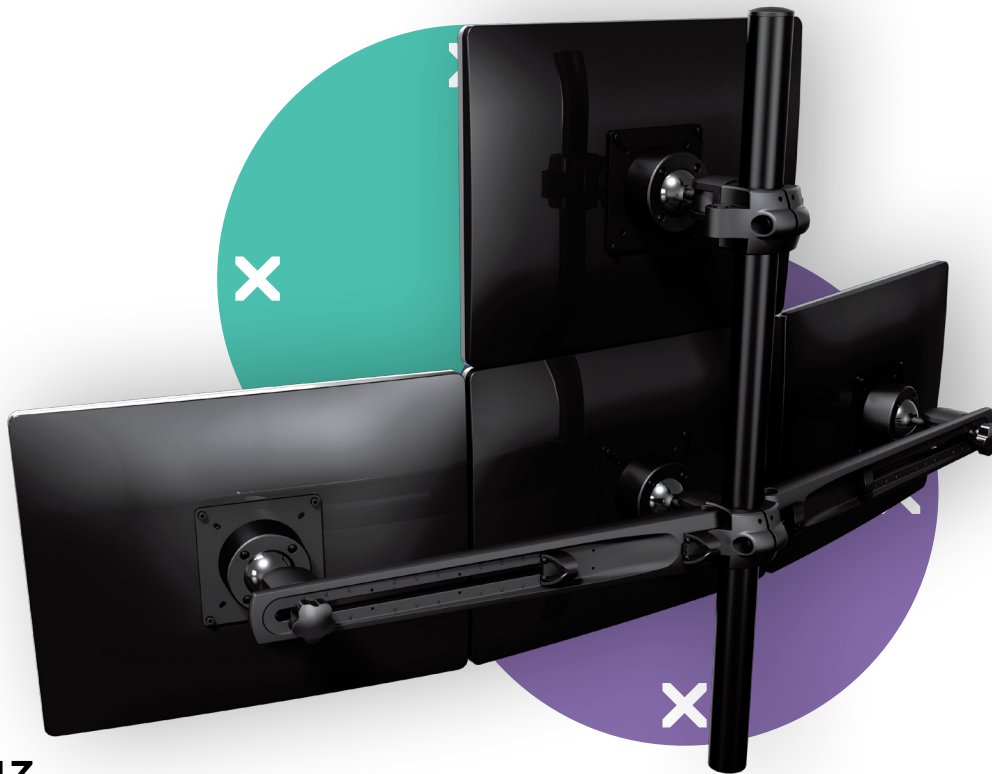


# viewmaster<sup>x</sup>



53.343

## Viewmaster multi-monitor system - desk 343

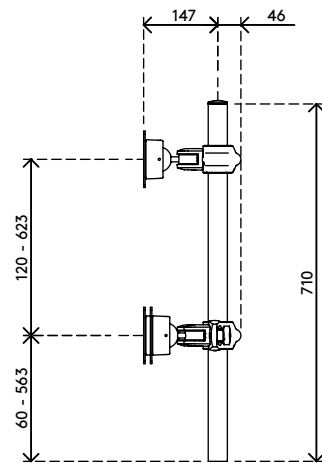
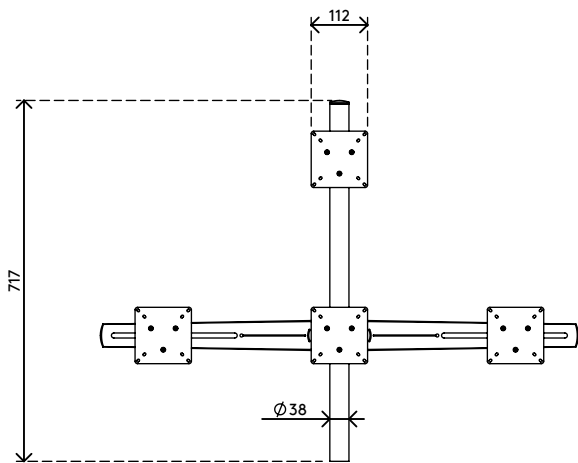
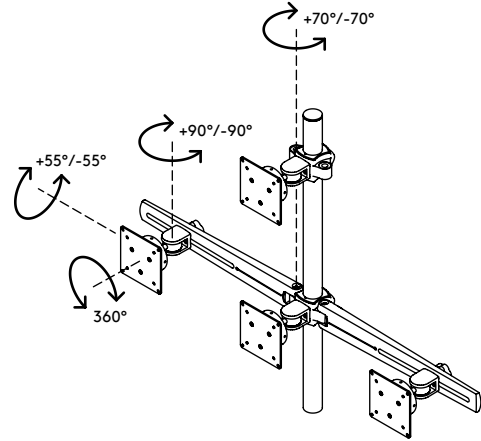
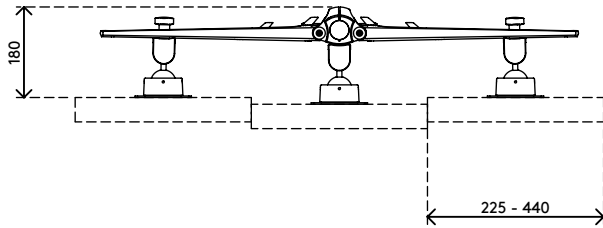
This model mounts a total of 4 monitors. Like on all other winged multi-monitor systems, each monitor can be adjusted individually. Cable management in the wings tidies up all cables, resulting in an impressive, curved monitoring workstation.

- Stepless height adjustment
- For 4 monitors
- Cable clips and loop ties included
- Die-cast aluminium parts
- VESA MIS-D 75 x 75/100 x 100 mm compatible
- Rotate 360°, tilt +55°/-55°, pivot +90°/-90°
- Weight capacity max. 12 kg per monitor
- Desk mount not included
- Monitor size limit: width 440 - height 428 mm
- Due to excellent stability also suitable for touchscreens

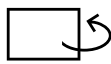
**dataflex**<sup>x</sup>

feeling at work

# viewmaster



+55°/-55°



+90°/-90°



360°



440 mm (17,3")



428 mm (16,9")



75 x 75/100 x 100



(4x) 12 kg

## Viewmaster multi-monitor system - desk 343

2015/10/05

# 53.343

 740 x 410 x 140 mm

 1 pcs

 black

 8,18 kg

 805410533434