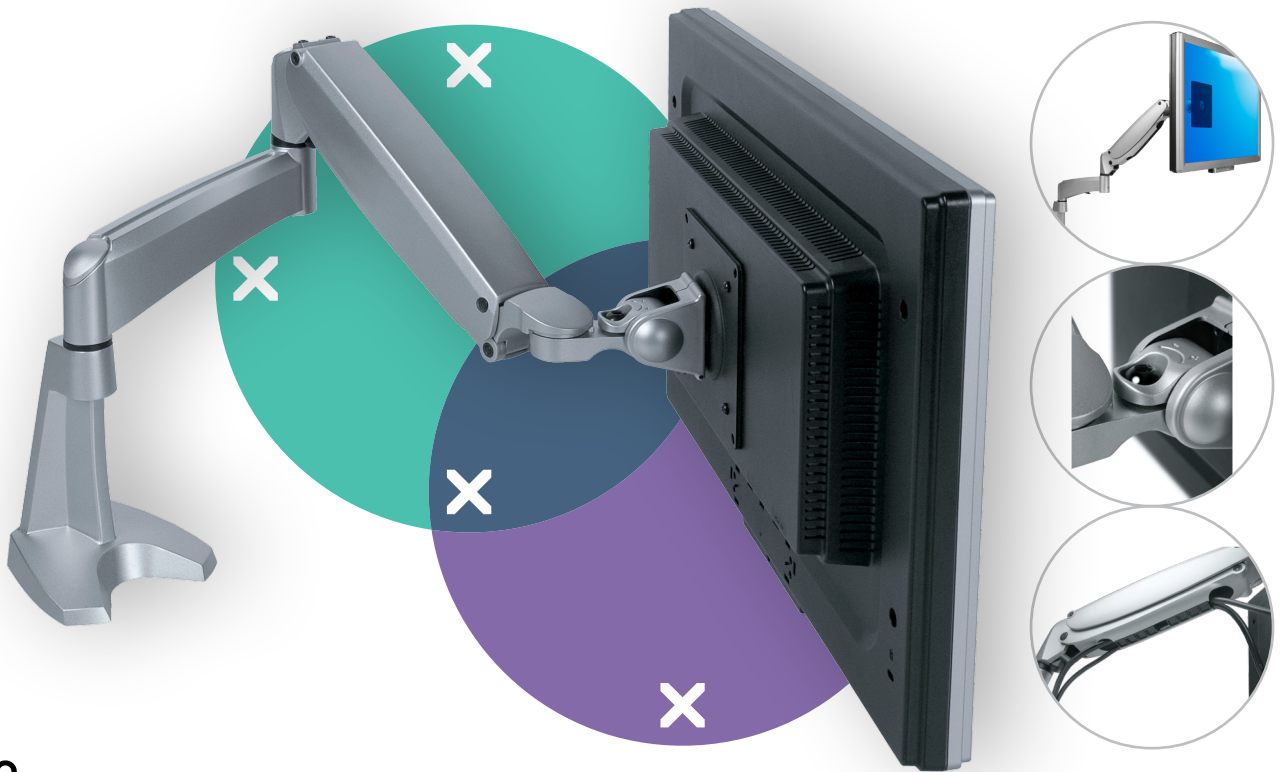


# viewmaster<sup>x</sup>



57.152

## Viewmaster monitor arm - desk 152

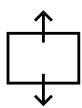
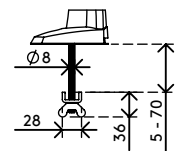
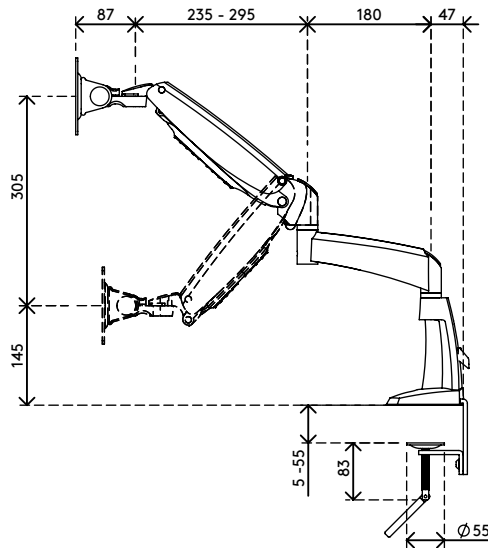
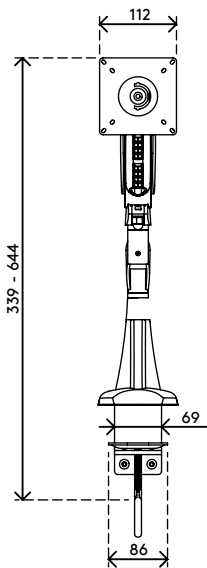
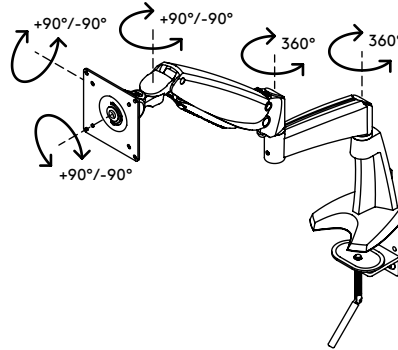
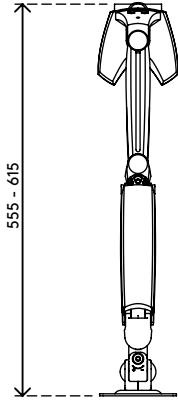
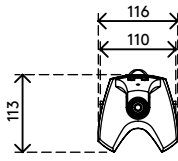
Dynamic height adjustment and independent depth adjustment let each user find their own optimal ergonomic position. A high-end design for heavier monitors, that guides cables along the arm's extensions to create a tidy, professional impression.

- Dynamic height adjustment range of 305 mm
- Independent depth adjustment
- Partly integrated or concealed cable management
- Main components made of aluminium
- VESA MIS-D 75 x 75/100 x 100 mm compatible
- Rotate +90°/-90°, tilt +90°/-90°, swivel 360°
- Weight capacity min. 4,5 - max. 10 kg per monitor
- Comes with a desk clamp mount and bolt-through desk mount
- Suitable for a desktop thickness of 5 up to 55 (clamp) or 70 mm (bolt through)
- Monitor size limit: height 886 mm
- Built-in SUSPA® gas spring

**dataflex**<sup>x</sup>

feeling at work

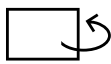
# viewmaster



305 mm (12,0")



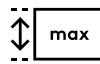
+90°/-90°



+90°/-90°



+90°/-90°



886 mm (34,9")



75 x 75/100 x 100




4,5 - 10 kg

## Viewmaster monitor arm - desk 152

2015/10/05


# 57.152

 490 x 285 x 140 mm

 1 pcs

 silver

 4,84 kg

 805410571528