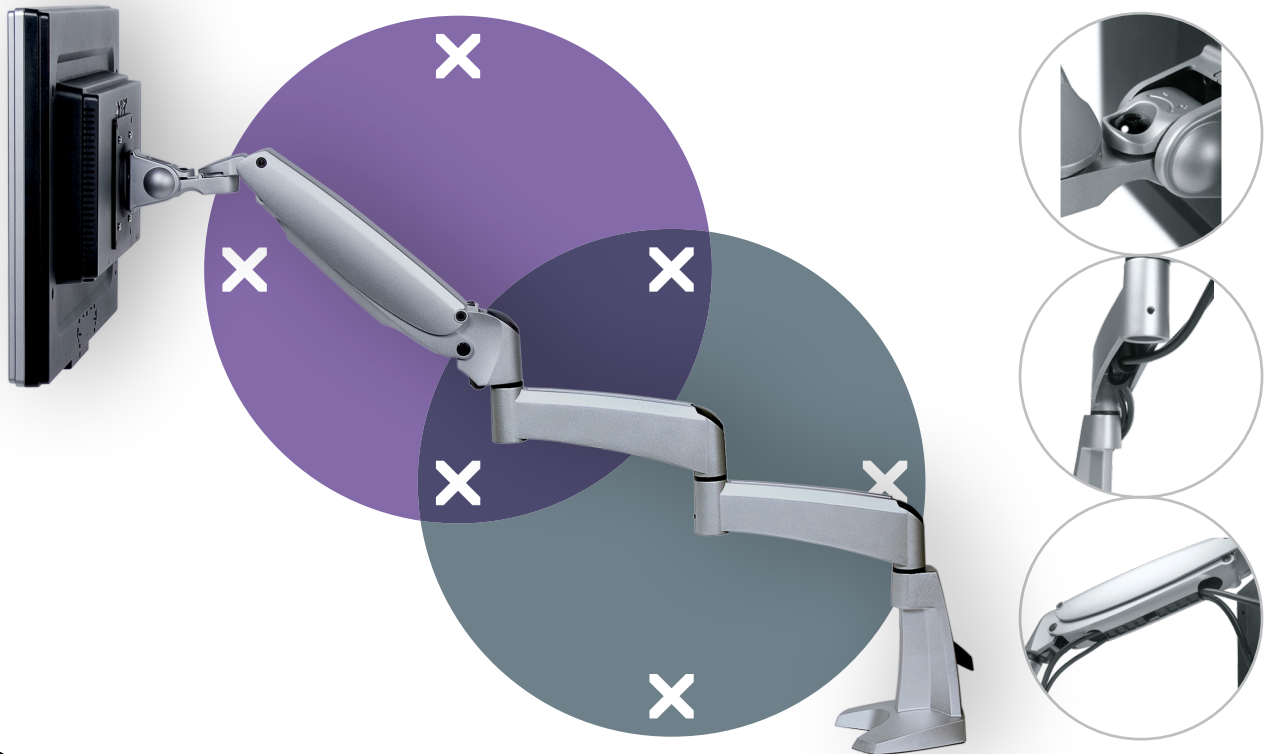


viewmaster^x



57.182

Viewmaster monitor arm - desk 182

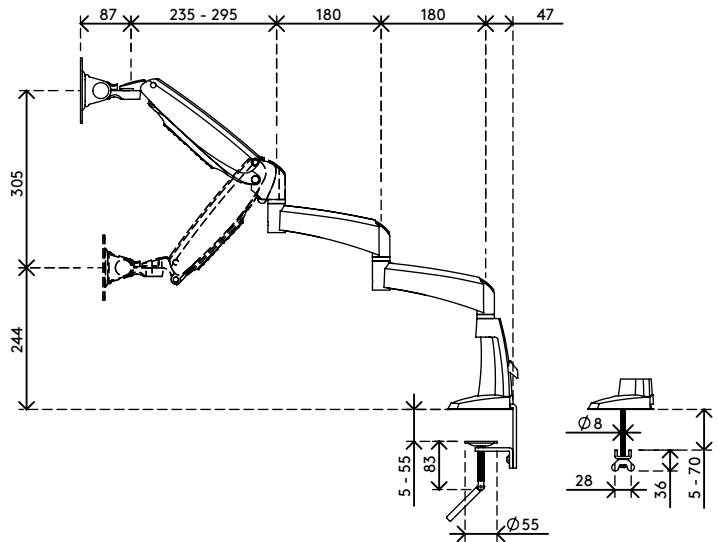
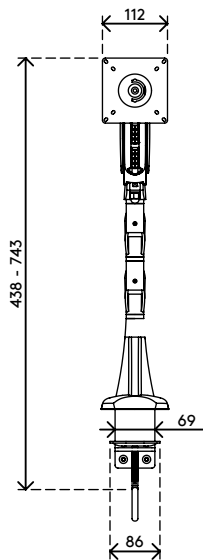
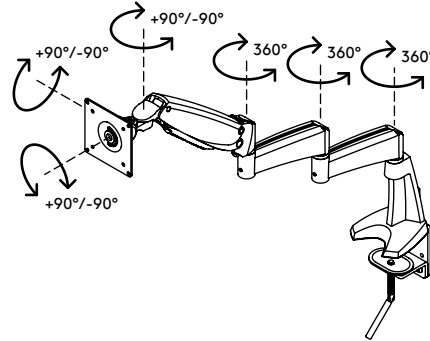
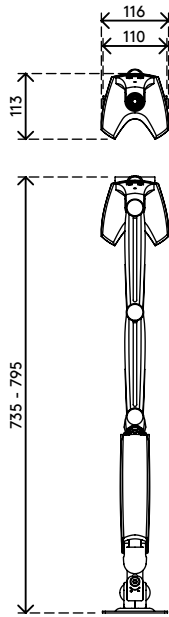
Remarkably long reach and dynamic height adjustability with fingertip sensitive balance make it easy to find the optimal ergonomic position across even a large desktop. The folding extensions keep things compact when needed and cables are easily guided along the arm's extensions to create a tidy, professional impression.

- Dynamic height adjustment range of 305 mm
- Increased independent depth adjustment
- Partly integrated or concealed cable management
- Main components made of aluminium
- VESA MIS-D 75 x 75/100 x 100 mm compatible
- Rotate +90°/-90°, tilt +90°/-90°, swivel 360°
- Weight capacity min. 4,5 - max. 10 kg per monitor
- Comes with a desk clamp mount and bolt-through desk mount
- Suitable for a desktop thickness of 5 up to 55 (clamp) or 70 mm (bolt through)
- Monitor size limit: height 1078 mm
- Built-in SUSPA® gas spring

dataflex

feeling at work

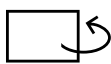
viewmaster



305 mm (12,0")



+90°/-90°



+90°/-90°



+90°/-90°



1078 mm (42,4")



75 x 75/100 x 100



4,5 - 10 kg

Viewmaster monitor arm - desk 182


2015/10/05


57.182

 490 x 285 x 140 mm

 1 pcs

 silver

 5,32 kg

 805410571825