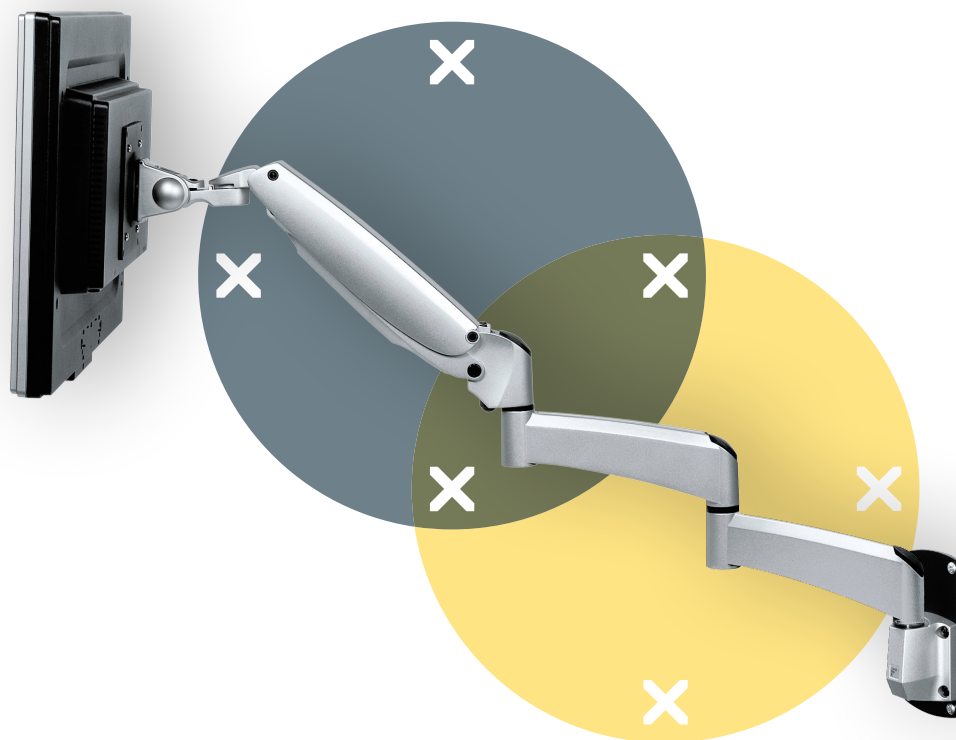


# viewmaster<sup>x</sup>



57.282

## Viewmaster monitor arm - wall 282

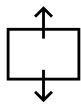
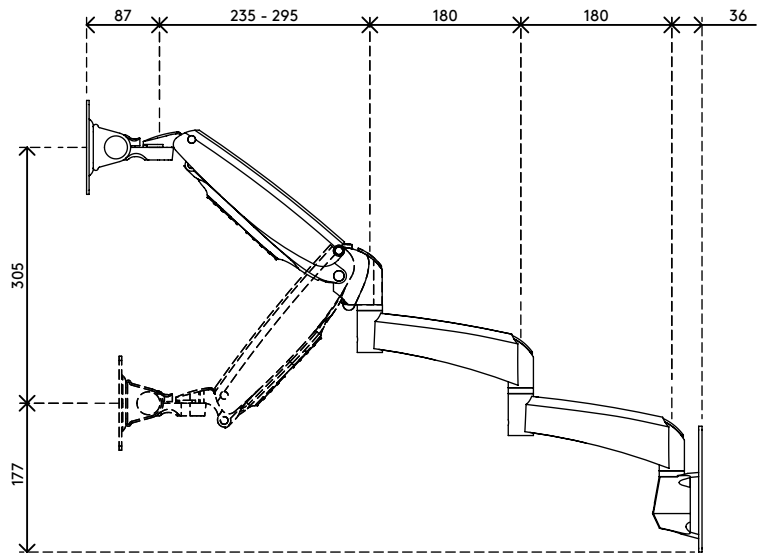
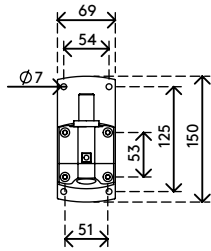
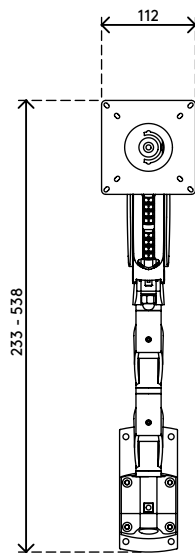
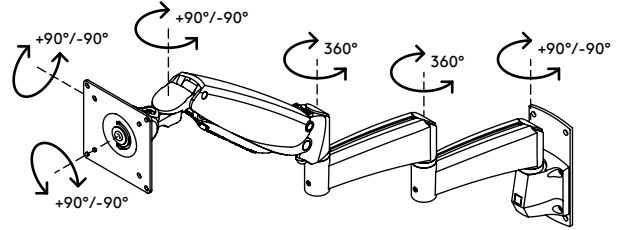
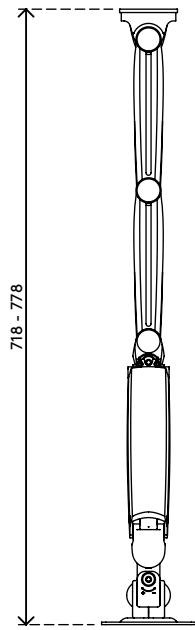
Remarkably long reach and dynamic height adjustability with fingertip sensitive balance make it easy to find the optimal ergonomic position across even a large area. The folding extensions keep things compact when needed and cables are easily guided along the arm's extensions to create a tidy, professional impression.

- Dynamic height adjustment range of 305 mm
- Increased independent depth adjustment
- Partly integrated or concealed cable management
- Main components made of aluminium
- VESA MIS-D 75 x 75/100 x 100 mm compatible
- Rotate +90°/-90°, tilt +90°/-90°, swivel +90°/-90°
- Weight capacity min. 4,5 - max. 10 kg per monitor
- Comes with a wall mount
- Built-in SUSPA® gas spring

**dataflex**<sup>x</sup>

feeling at work

# viewmaster x



305 mm (12,0")



+90°/-90°



+90°/-90°



+90°/-90°



75 x 75/100 x 100




4,5 - 10 kg

Viewmaster monitor arm - wall 282


2015/10/05


# 57.282

 490 x 285 x 140 mm

 1 pcs

 silver

 4,305 kg

 805410572822